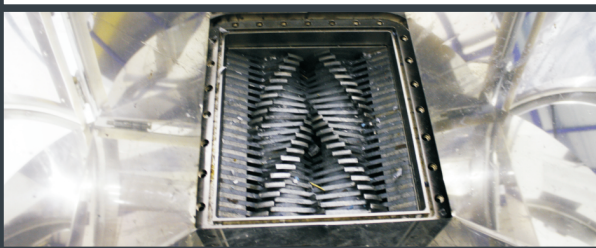
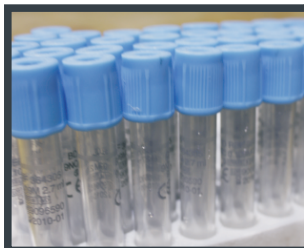


**85% WASTE
REDUCTION
MINIMUM €/KG
TREATMENT COST**

STERI2FLASH®

The biomedical waste management solution



www.comtem.net



URS is a member of Registrar of Standards (Holdings) Ltd.

URS is a member of Registrar of Standards (Holdings) Ltd.

STERI2FLASH®

Steri2flash® is a device that treats potentially infectious biomedical waste and transforms it into ordinary waste which can be stored and treated in rubbish dumps. Robust and reliable, easy and quick to setup, this waste treatment process can now be set close to the production place, avoiding transport risks and dangers.

Functioning principle:

Waste, deposited in the hopper, is mechanically shredded and then falls into the treatment tank. Once the tank is full, a processing cycle is started. After closing the upper door, a vacuum phase empties the air. Then, the injection of saturating wet steam, supplied by an external steam generator installed in the apparatus, occurs automatically.

The nominal parameters of the cycle are:

- Temperature: 135°C/275°F;
- Pressure: 3.2 Bar.
- Time: 20 minutes.

All these parameters can be changed upon requirements.

At the end of the cycle the front door opens automatically and the solid waste is released into a container. The liquids are drained off via the waste water network.

Process monitoring and control:

An operating touch-screen displays temperature and pressure values inside the treatment tank during the cycle.

Remote machine and process monitoring can be done via internet or GSM networks, through the Communications Module (*optional)

An automatic control is managed by a programmable controller able to store data on a memory card (*optional).

Traceability:

Cycle traceability is guaranteed by:

- Printed record: paper print on which the machine number, the cycle number and the date, temperature and pressure sampled are indicated, registering that the disinfecting cycle has been carried out successfully
- Machine memory storage, accessible via USB, or remotely (*optional)

Safety:

Infection risk safety:

- A disinfection of surfaces in the hopper area is done every time the transparent lid is opened.
- The gaseous discharges are filtered (0.2µ microbiological filtering), condensed and treated by bubbling.
- The liquids are decontaminated and cooled.
- The shredder, installed in the process tank, is decontaminated at each cycle.
- A specific system makes a complete decontamination of liquids.
- Daily cleaning cycle must be performed, waste free, for efficient decontamination process.

Machine safety:

- Lid opening forbids the starting of the shredder due to a safety system of category PL c according to ISO EN 13249.
- The electrical components are separated from the rest of the machine with a waterproof wall.
- Machines individually tested and certified ex factory.
- CE marking

Capacity:

- Volume of treated waste per cycle: 200 l
- Volume of waste deposit hopper: 70l
- Useful volume of disinfection tank: 70l
- Volume of bactericide tank: 2 l
- Volume of steam generator: 2 x 8 l
- Pressure and temperature of the steam in generator: 6 Bar –160°C/320°F.

Processing performance:

- About 200 liters of waste are treated in less than 40 minutes (depending on manual - intervention when loading the waste into the machine)
- Approximated shredding time (depending of types of waste) for 200 liters: 5 to 15 min.

Materials:

- Disinfection tank and generator: 304L stainless steel
- Shredder teeth: HARDOX carbon steel
- Bodywork: 304L stainless steel.

TECHNICAL CHARACTERISTICS

Dimensions:

- Total height: 2.32 m.
- Work space height: 1.25 m.
- Width: 1.05 m.
- Length: 1.77 m
- Weight: 800 kg
- Weight/m²: 430.5 Kg/m²

Installation configuration:

- Electricity, power supply configurations available:
 - 380/400V, 50Hz/60Hz, 35A
- Water:
 - Municipal, pressure: 4.5 Bar
 - In case of hard water a softener is required.
- Drainage: Ø 32 mm / Ø 0.13 " minimum.
- Installed Power: 25 Kw.

Consumption per cycle:

- Water: 55 l.
- Electricity: 6 kWh
- Bactericide: 0.05 L.

→ Steri2flash® accepts a large range of biomedical waste packaging.

OPTIONS

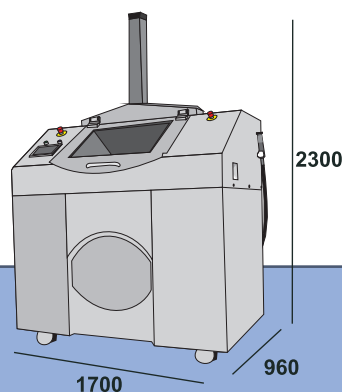
- Diagnosis and repair via internet or GSM modem
- Specific shape of teeth according use
- Centralized management of data for a group of apparatuses
- Memory cards to save cycles data

Types of Waste

- Syringes and needles
- Scalpels and other metallic instruments
- Petri plates and test tubes
- Plastic containers
- Dialysis filters
- Blood lines
- Cloths and other fabrics
- Nonwoven wipes
- Paper waste
- Organic material
- Glass
- Other biomedical waste

Uses And Applications

- Hospitals
- Clinics
- Ambulatories
- Geriatric residences
- Analysis laboratories
- Microbiology hospital laboratories
- Dialysis centers
- Field hospitals
- Oncology centers
- Scientific laboratories
- Veterinary centers
- Fire Stations
- Schools and Universities
- Waste treatment centers
- Penitentiaries
- Cruise Ships



SIZE IN MM.



COMTEM

C/ Ibi, 2
Poligono Industrial Algars
03820 Cocentaina (Alicante)
Spain

T: +34 965 590 315
F: +34 965 330 328
E: info@comtem.net